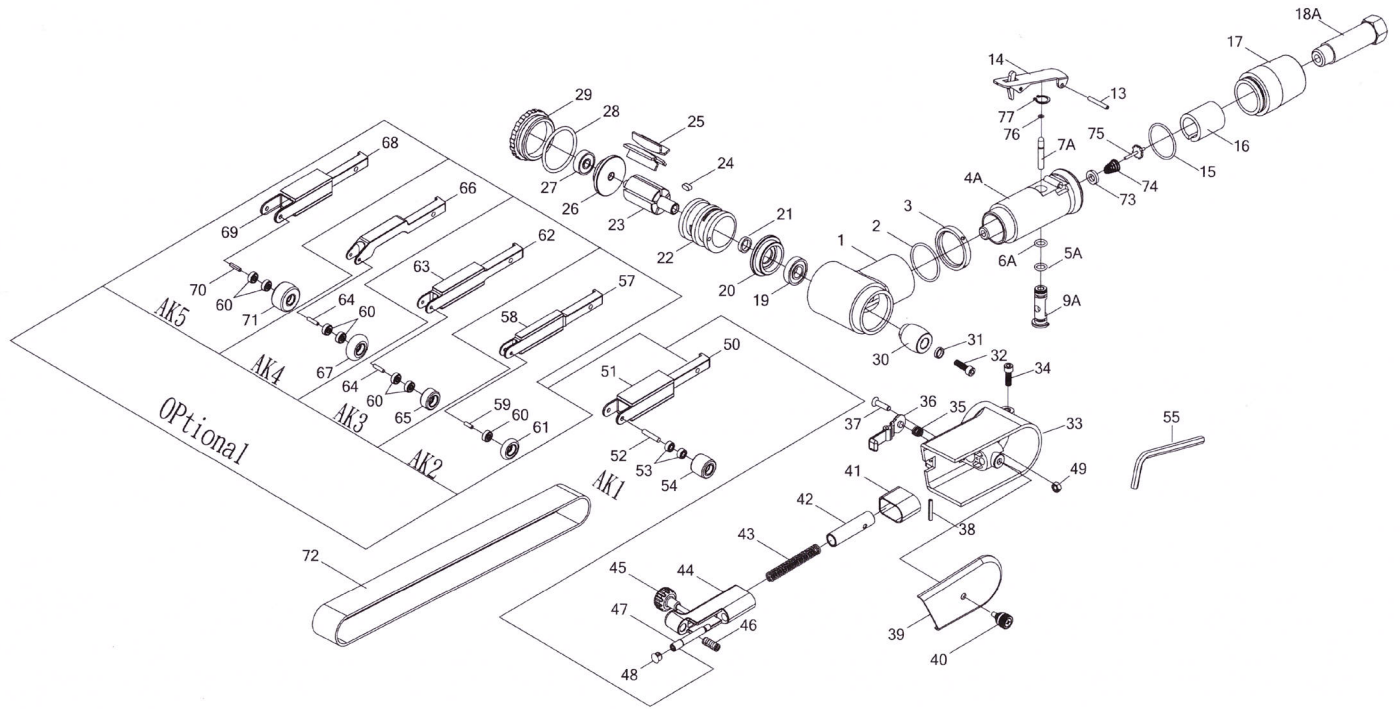


# Belt Sander

24005K



Ref. No.	Part No.	Description	Qty /Tool	Ref. No.	Part No.	Description	Qty /Tool	Ref. No.	Part No.	Description	Qty /Tool
1	760001	Housing	1	34	760034	Screw	1	64	760064	Pin 3x12.8L	2
2	760002	O-Ring	1	35	760035	Spring	1	65	760065	Idle Pulley(10mm)	1
3	760003	Lock Nut	1	36	760036	Latch	1	66	760066	Contact Arm(10mmx457mm)	1
4A	760004A	Motor Housing	1	37	760037	Screw	1	67	760067	Idle Pulley(10mm)	1
5A	760005A	O-Ring	1	38	760038	Spring Pin	1	68	760068	Contact Arm(13mmx457mm)	1
6A	760006A	O-Ring	1	39	760039	Guard	1	69	760069	Platen Pads	1
7A	760007A	Valve Stem	1	40	760040	Screw	1	70	760070	Pin 3x17.8L	1
9A	760009A	Air Controller	1	41	760041	Dust Cover	1	71	760071	Idle Pulley(13mm)	1
13	760013	Spring Pin	1	42	760042	Support Rod	1	72	760072	Sander Belt(20mmx457mm)#80	1
14	760014	Throttle Lever	1	43	760043	Spring	1	73	760073	Seal	1
15	760015	O-Ring	1	44	760044	Tension Arm	1	74	760074	Spring	1
16	760016	Muffle	1	45	760045	Knob	1	75	760075	Valve Stem	1
17	760017	Air Deflector	1	46	760046	Spring	1	76	760076	O-Ring	1
18A	760018A	Air Inlet	1	47	760047	Guide Post	1	77	760077	Snap Ring	
19	760019A	Bearing	1	48	760048	Plug	1				
20	760020	Front Plate	1	49	760049	Hex.Nut	1				
21	760021	Space	1	50	760050	Contact Arm(20mmx457mm)	1				
22	760022	Cylinder	1	51	760051	Platen Pads	1				
23	760023	Rotor	1	52	760052	Pin 4x19.8L	1				
24	760024	Key	1	53	760053	Bearing 684zz	2	AK1	760AK1	50,51,52,53,54	1
25	760025	Rotor Blade	5	54	760054	Idle Pulley(20mm)	1	AK2	760AK2	57,58,59,60,61	1
26	760026	Rear Plate	1	55	760055	Hex.Key,Wrench(4mm)	1	AK3	760AK3	60,62,63,64,65	1
27	760027	Bearing	1	57	760057	Contact Arm(6mmx457mm)	1	AK4	760AK4	60,64,66,67	1
28	760028	O-Ring	1	58	760058	Platen Pads	1	AK5	760AK5	60,68,69,70,71	1
29	760029	Motor Nut	1	59	760059	Pin 3x7.8L	1				
30	760030A	Pulley	1	60	760060	Bearing 623zz	7				
31	760031	Washer	1	61	760061	Idle Pulley(6mm)	1				
32	760032	Screw	1	62	760062	Contact Arm(10mmx457mm)	1				
33	760033	Guard Body	1	63	760063	Platen Pads	1				